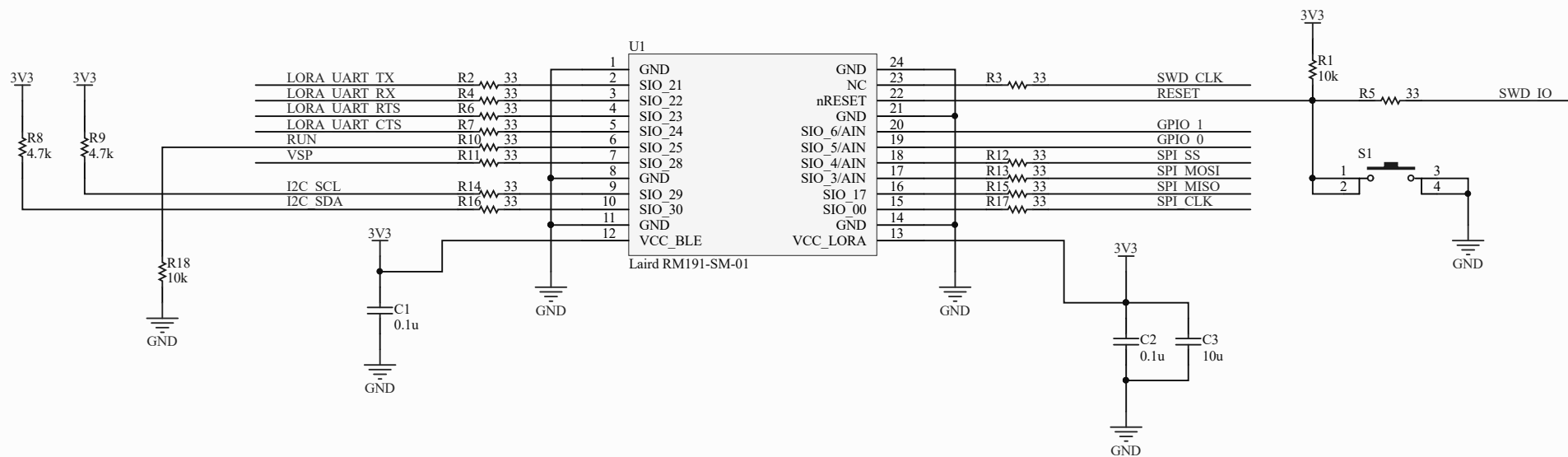
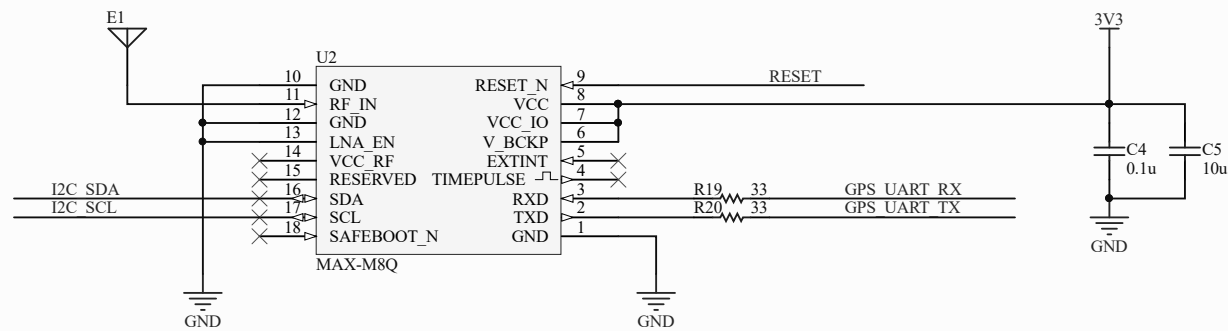


Item #	mn Name Error:Manufa	#Column Name Error:Manufacturer No	Quantity	#Column Name Error>Note	Designator	Description	Footprint	Comment	LibRef
1			3		C1, C2, C4	Generic 0603 Capacitor	CAPC1608X90X35NL15T15	0.1u	CMP-yhx3n61g1m8y992lpx0-1
2			3		C3, C5, C7	Generic 0805 Capacitor	C0805	10u	CMP-wtggus5b4gkgu8hs2vh-1
3			1		C6	Generic 0805 Capacitor	C0805	4.7u	CMP-wtggus5b4gkgu8hs2vh-1
4			1		E1	ANTENNA CHIP GPS 1575 MHZ	PCB-2107070-1	Johanson Technology 1575AT43A0040E	CMP-2107070-2
5			1		J1	Conn; Term Blk; PCB; WireReceptacle; 2; 2.54mm; 30-16AWG; Green; 10A; 150V; M1.6	PCB-sdywokrnx1348eajf9no-1	282834-2	CMP-4e52859dc8429195-21
6			1		J2	Conn Unshrouded Header HDR 24 POS 2.54mm Solder ST Thru-Hole Poly Bag	PCBComponent_1	FCI 67996-424HLF	CMP-8358483aba3c5c9f-1
7			2		J3, J4	Conn; Rect; UnshroudedHdr; 2Cnts; ThruHole; BergStik; 2.54mmPin-Spng; Vert; SingleRow	PCB-egdf46ogn30fh067nqa-1	FCI 77311-118-02LF	CMP-08fac3900112d73d-11
8			1		L1	Inductor Power Shielded Wirewound 2.2uH 20% 100KHz Ferrite 4.1A 20.88mOhm DCR T/R	INDC7922X32N	2.2u	CMP-b51a7c1577336add-3
9			2		R1, R18	Generic 0805 Resistor	R0805	10k	CMP-lc08ipexfthgblb0azws-3
10			16		R2, R3, R4, R5, R6, R7, R10, R11, R12, R13, R14, R15, R16, R17, R19, R20 R8, R9	Generic 0805 Resistor	R0805	33	CMP-lc08ipexfthgblb0azws-3
11			2		R8, R9	Generic 0805 Resistor	R0805	4.7k	CMP-lc08ipexfthgblb0azws-3
12			1		S1	Switch	PCB-B1	TE Connectivity 2-1437565-9	CMP-e65c2c1b881b399b-14
13			1		SW1	Slide Switch DPDT Surface Mount	PCB-ixy6264hz8u4okoxsrw-1	C&K Components JS202011SCQN	CMP-94a55dc393914b62-8
14			1		U1	Lora+Bluetooth Mod. 902-928mhz, 21.9kpbs	PCB-6r8tba8llkx8j69cazw-1	Laird RM191-SM-01	CMP-7399bee76659ac5e-4
15			1		U2	Ic Receiver Gps/Gnss 18lcc	MAXM8	MAXM8Q	CMP-ade603e8ff7228-2
16			1		U3	2MHz, 600mA Step-Down DC-DC Converter, 5-pin SOT-23, Pb-Free	MF05A_M	LM3671	CMP-0063-01132-4
17			1		X1	Conn Micro USB 2.0 Type B RCP 5 POS 0.65mm Solder RA SMD 5 Terminal 1 Port T/R	PCB-zzz0atu1xosuqaawer5-1	1981568-1	CMP-c4780b744281bbf-6



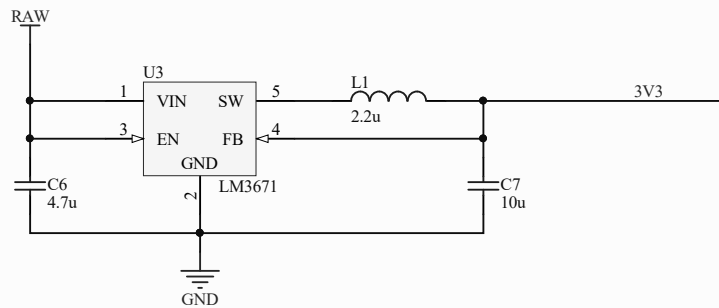
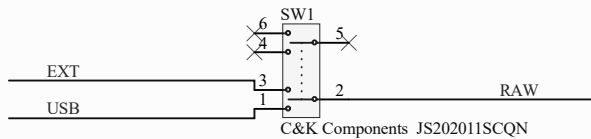
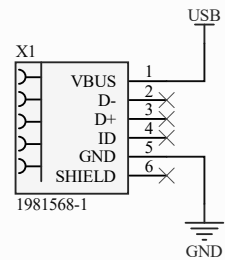
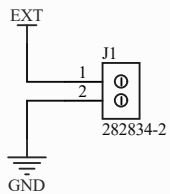
Title <b>Aurora</b>		
Size: Letter	Number:01-01-01	Revision:-
Date: 3/29/2018	Time: 2:53:11 PM	Sheet 1 of 4
File: Lora.SchDoc		





Title <b>Aurora</b>		
Size: Letter	Number:01-01-01	Revision:-
Date: 3/29/2018	Time: 2:53:12 PM	Sheet2 of 4
File: GPS.SchDoc		





Title <b>Aurora</b>		
Size: Letter	Number:01-01-01	Revision:-
Date: 3/29/2018	Time: 2:53:12 PM	Sheet3 of 4
File: Power.SchDoc		



J2			
SWD IO	1	2	SWD CLK
LORA UART TX	3	4	LORA UART RX
LORA UART RTS	5	6	LORA UART CTS
RAW	7	8	GND
GPS UART TX	9	10	GPS UART RX
3V3	11	12	GND
I2C SCL	13	14	I2C SDA
3V3	15	16	GND
SPI MOSI	17	18	SPI SS
SPI CLK	19	20	SPI MISO
3V3	21	22	GND
GPIO 0	23	24	GPIO 1

FCI 67996-424HLF

